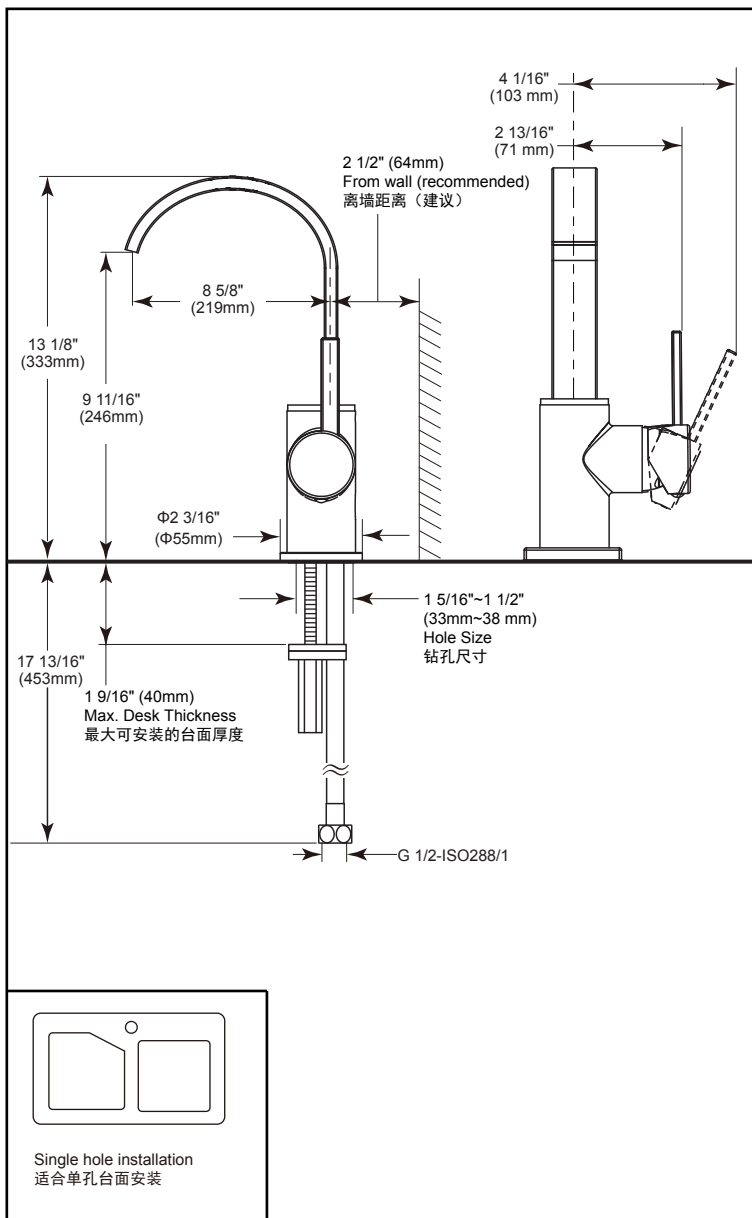


## MANDOLIN

- Single hole mount kitchen
- 单孔厨房龙头

Submitted Model No./所需产品号码:

Specific Feature/详细特征:



### EN

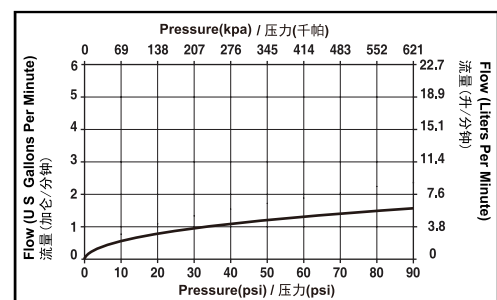
#### Standard Specification

- Finish: chrome plated
- Casted brass body
- $\Phi 35\text{mm}$  ceramic cartridge with 500,000 life cycles per standard ASME A112.18.1
- Faucet 100% leak tested
- Spout swing 360°
- Metal handle with hot/cold temperature indicator
- Stainless steel braided flexible supply hose with G 1/2 - ISO228 / 1:2000 thread connection
- Double-shank mounting system with 2 installation nut included
- Faucet compliant to Singapore WELS water-efficiency requirements, meeting 2-tick (Very Good)

### CN

#### 标准规格

- 表面处理: 镀铬
- 精铜本体
- 陶瓷阀芯的直径为35mm, 使用寿命达到 ASME A112.18.1标准50万次
- 100%防漏水测试
- 水嘴可以360° 旋转
- 金属手柄带有热/冷温度指示
- 配备不锈钢编织连接软管, 接头为G 1/2-ISO228/1:2000螺纹
- 双螺杆安装方式, 配有两个安装螺母
- 产品符合新加坡WELS节水认证要求, 达到“√√”(Very Good)的标准



Dimensions are for reference only / 以上尺寸仅供参考

DSP-K-26601-SG Rev. A